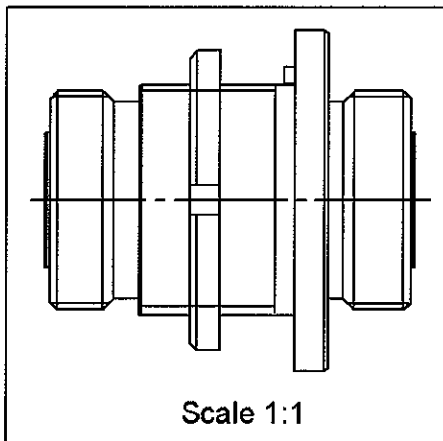
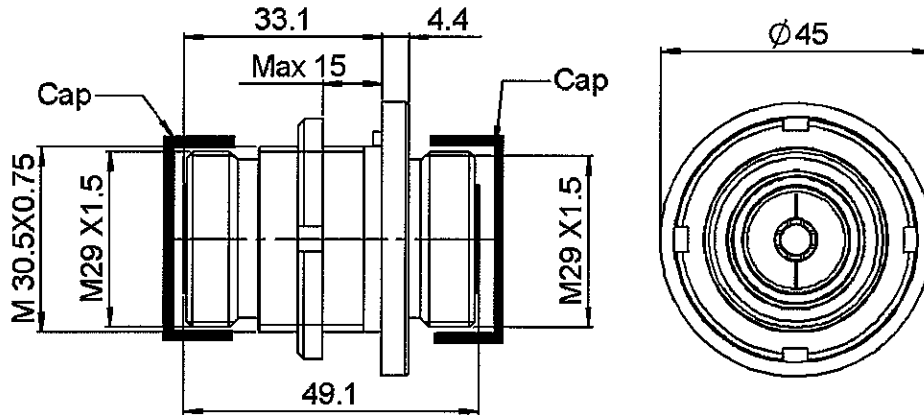


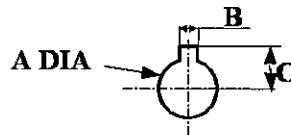
**FEMALE-FEMALE BULKHEAD ADAPTOR**

**R185.730.020**

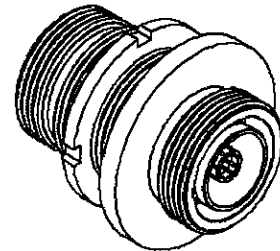
Series : 7-16



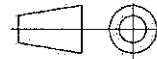
**PANEL CUT OUT**



mm		
	Maxi	mini
A	30.55	30.45
B	3.3	3.2
C	17.6	17.5



All dimensions are in mm.



COMPONENTS	MATERIALS	PLATINGS (µm)
BODY	BRASS	BBR 0.5 OVER SILVER 3
CENTER CONTACT	BERYLLIUM COPPER	SILVER 5 PASSIVATED OVER COPPER 0.5
OUTER CONTACT	BRASS	SILVER 5 PASSIVATED OVER COPPER 0.5
INSULATOR	PTFE	
GASKET	EPDM	
OTHERS PARTS	BRASS	BBR 2
-	-	-
-	-	-

Issue : 0534 A

In the effort to improve our products, we reserve the right to make changes judged to be necessary.



**FEMALE-FEMALE BULKHEAD ADAPTOR**

**R185.730.020**

Series : 7-16

**PACKAGING**

**SPECIFICATION**

Standard	Unit	Other
20	'W' option	Contact us

**ELECTRICAL CHARACTERISTICS**

**ENVIRONMENTAL**

Impedance		50 Ω
Frequency		0-7.5 GHz
VSWR	1.15* +	0.000 x F(GHz) Maxi
Insertion loss		NA √F(GHz) dB Maxi
RF leakage	-(	NA - F(GHz)) dB Maxi
Voltage rating		1400 Veff Maxi
Dielectric withstanding voltage		4000 Veff mini
Insulation resistance		10000 MΩ mini

Operating temperature	-55/+155 °C
Hermetic seal	NA Atm.cm3/s
Panel leakage	NA

**OTHERS CHARACTERISTICS**

Assembly instruction

Others :

\*Coaxial transmission line only  
 >1.1 at 2GHz >1.15 at 4GHz  
 >1.25 at 6GHz >1.3 at 7.5GHz

**MECHANICAL CHARACTERISTICS**

Center contact retention		
Axial force – Mating end		200 N mini
Axial force – Opposite end		200 N mini
Torque		NA N.cm mini
Recommended torque		
Mating		3500 N.cm
Panel nut		NA N.cm
Mating life		500 Cycles mini
Weight		211.922 g

Issue : 0534 A

In the effort to improve our products, we reserve the right to make changes judged to be necessary.



**RADIALL®**